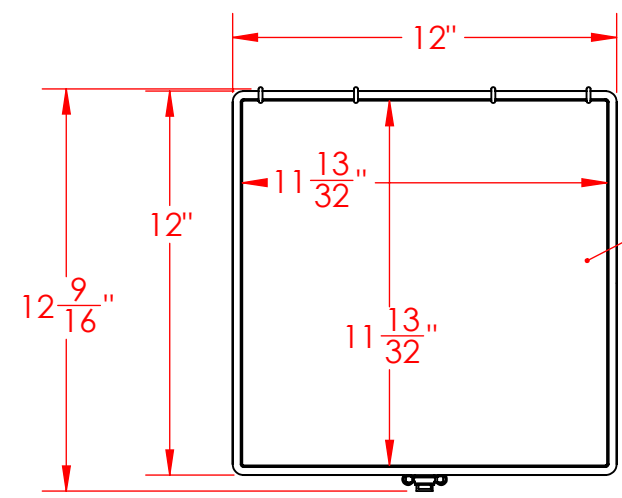
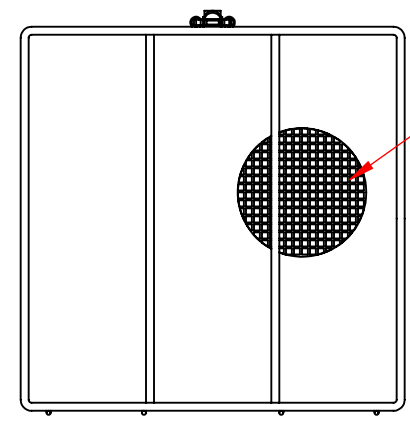
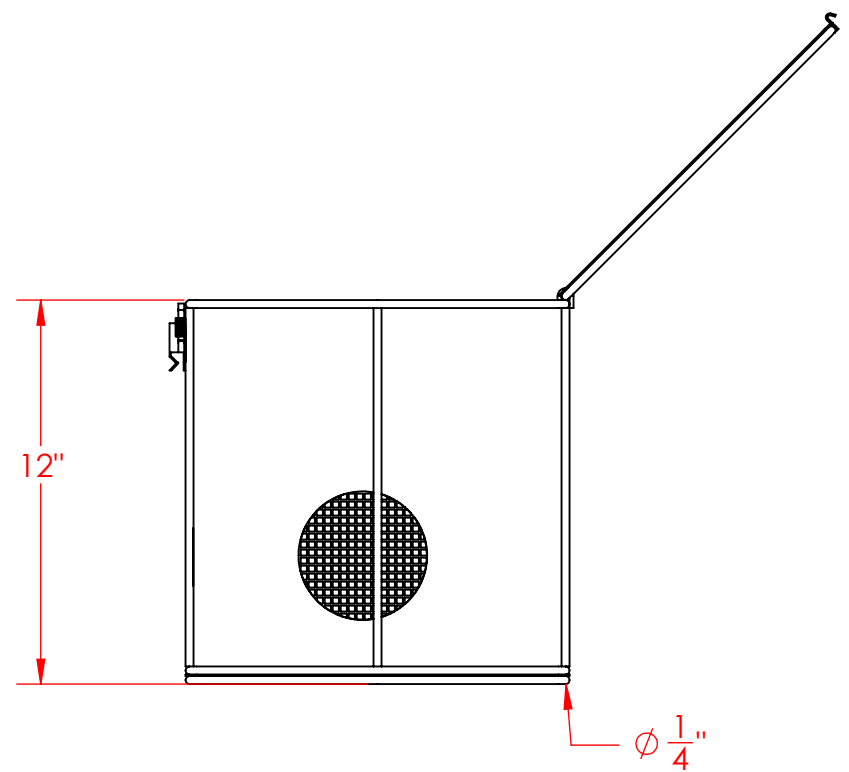
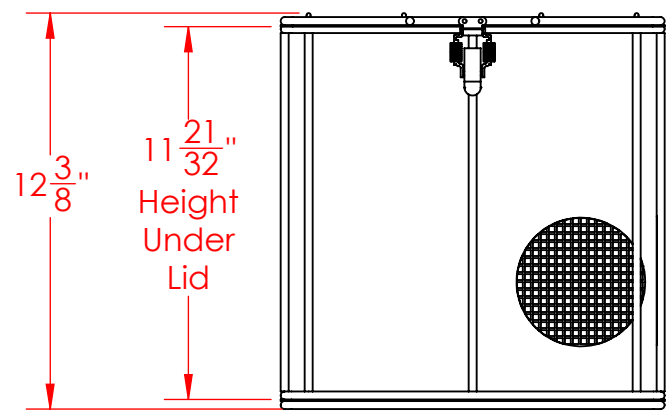


D
C
B
A

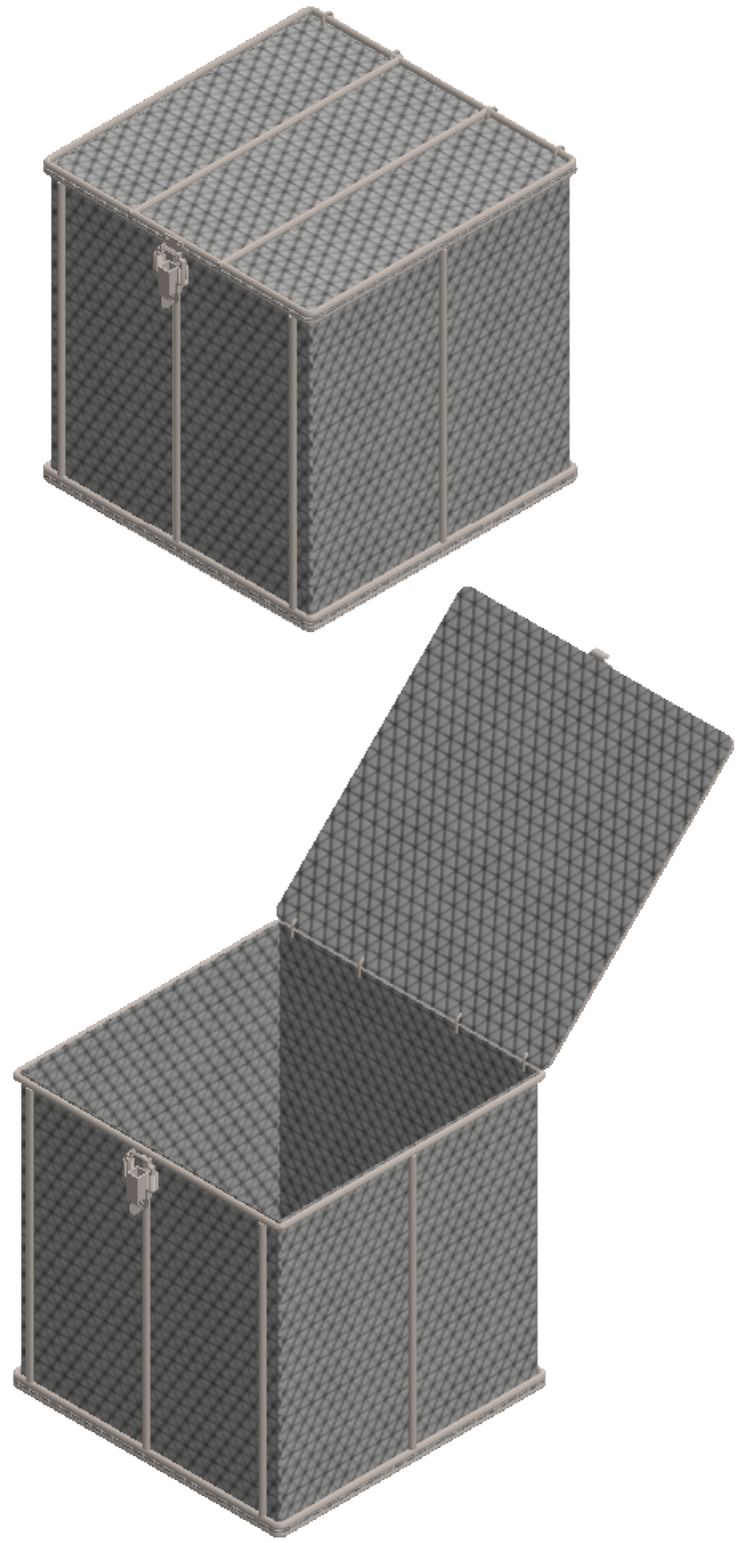
D
C
B
A



Lid Hidden in this View for Clarity



Lined Bottom, Sides, and Lid with 4 Mesh x .063" Woven Wire (.187" Openings, 56% Open Area)



UNLESS OTHERWISE SPECIFIED:

DIMENSIONS ARE IN INCHES
TOLERANCES:
FRACTIONAL $\pm 1/16''$
ANGULAR: ± 5 DEG.
TWO PLACE DECIMAL ± 0.03
THREE PLACE DECIMAL ± 0.015

EST WGT
10.7 lbs.

MATERIAL
304 Stainless Steel

FINISH
Natural

DO NOT SCALE DRAWING

Rectangular Wire Mesh Basket:
12Lx12Wx12H, 304 SS, 1/4 Rod Frame,
Hinged Lid with Latch, Mesh: 4 x .063

PROPRIETARY AND CONFIDENTIAL

THE INFORMATION CONTAINED IN THIS DRAWING IS THE SOLE PROPERTY OF THREE M TOOL. ANY REPRODUCTION IN PART OR AS A WHOLE WITHOUT THE WRITTEN PERMISSION OF THREE M TOOL IS PROHIBITED.

SIZE **B** DWG. NO. TMT-120120120-P04S

SCALE: 1:6

SHEET 1 OF 1